

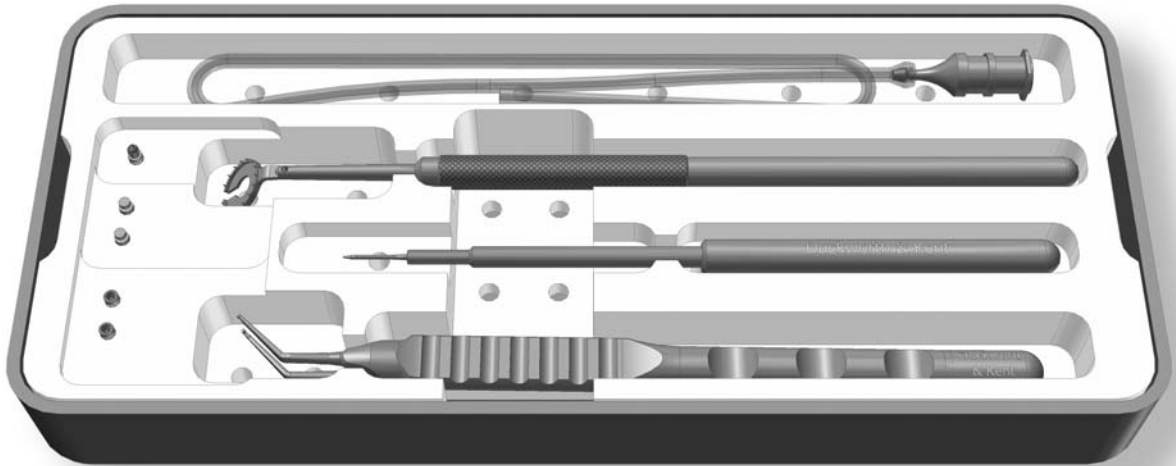


Duckworth & Kent

Ophthalmic Titanium Surgical Instruments

DK7600 - 23 Gauge Cannula System

Duckworth & Kent has developed the 23 Gauge Cannula System which allows a range of small incision vitrectomy instruments to pass through the cannula and into posterior chamber. The system permits a complete sutureless surgical procedure through a small incision that minimizes the potential for surgical trauma.



DK7600

23 Gauge Cannula System, consists of:

- 2 x Instrument Cannulas, ref: 8-640-1
- 2 x Cannula Plugs, ref: 8-642-1
- 1 x Infusion Cannula Tip, ref: 8-643
- 1 x Luer Lock, ref: 8-609
- 1 x Silicone Tubing, ref: B-1419
- 1 x Cannula Inserter, ref: 6-190-1
- 1 x Cannula Loading Forceps, ref: 2-2-832
- 1 x Fixation Plate, ref: 9-513-1
- 1 x Sterilizing Tray with insert, ref: T7003-2

8-640-1 Instrument Cannula

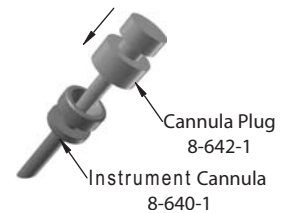


- Cannula for 23 gauge Instruments
- 45° bevelled tip, overall length 6mm
- Instrument Cannula is inserted into the sclera with the aid of the Cannula Inserter, ref: 6-190-1

8-642-1 Cannula Plug



- Seals 23 gauge Instrument Cannula when not in use

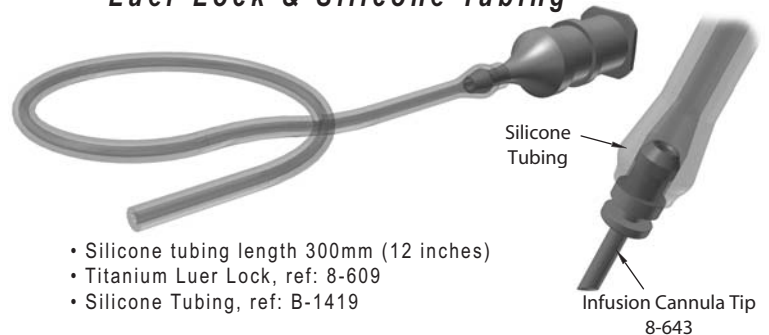


8-643 Infusion Cannula Tip



- 23 gauge tip, 45° bevelled tip, overall length 6mm
- Infusion Cannula Tip is inserted into the sclera with the aid of the Cannula Inserter, ref: 6-190-1
- Silicone tubing and luer fitting supplied

8-609 & B-1419 Luer Lock & Silicone Tubing



- Silicone tubing length 300mm (12 inches)
- Titanium Luer Lock, ref: 8-609
- Silicone Tubing, ref: B-1419

Titanium Instruments

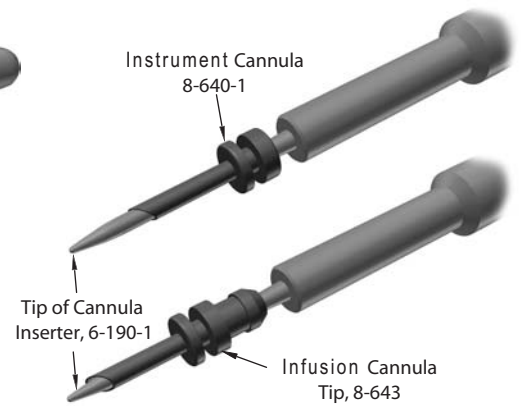


DK7600 - 23 Gauge Cannula System

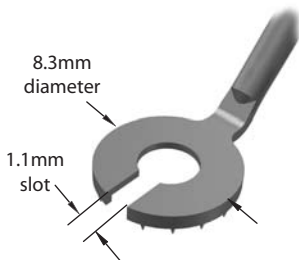
6-190-1 Cannula Inserter

- Designed to assist the insertion of the Instrument Cannula (8-640-1) and Infusion Cannula Tip (8-643)

- Blunt tip
- Round handle, length 100mm

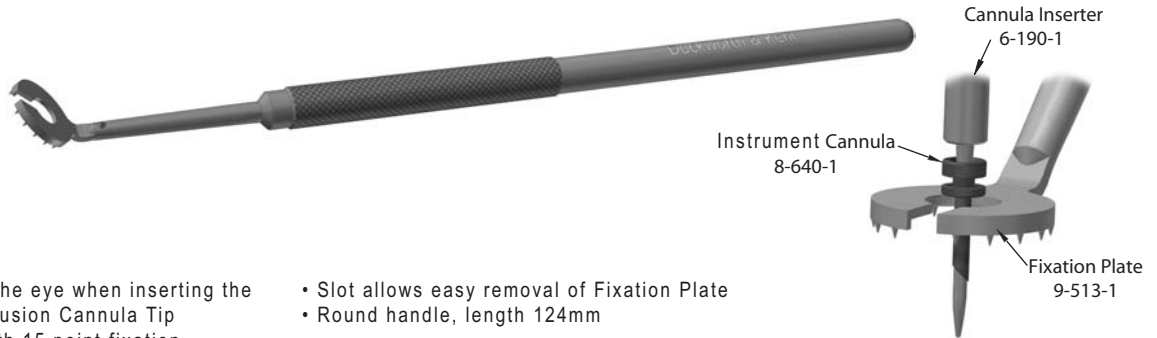


9-513-1 Fixation Plate

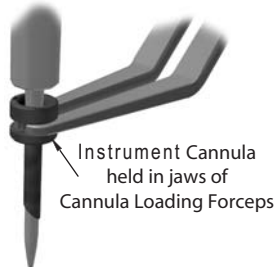


- Fixation Plate stabilizes the eye when inserting the Instrument Cannula or Infusion Cannula Tip
- 8.3mm diameter plate, with 15 point fixation

- Slot allows easy removal of Fixation Plate
- Round handle, length 124mm



2-2-832 Cannula Loading Forceps

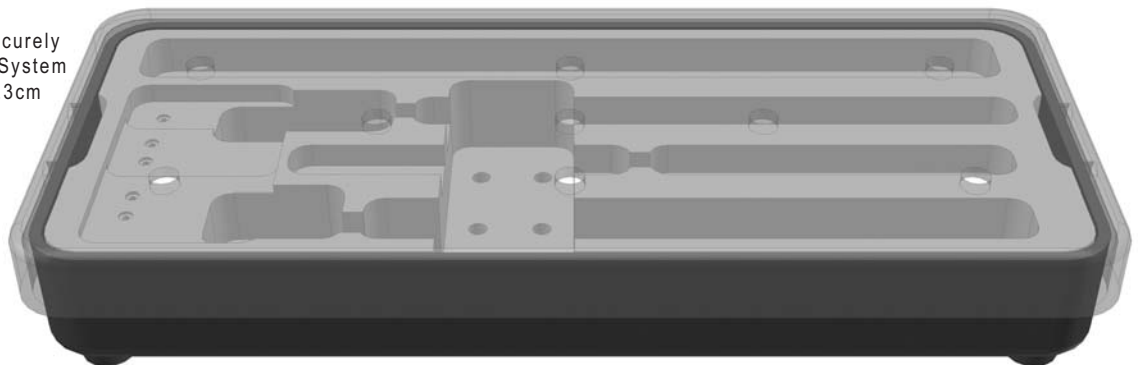


- Designed to hold when inserting or removing the Instrument Cannula (8-640-1), Infusion Cannula Tip (8-643) and Cannula Plug (8-642-1)
- 45° angled shafts, tip to angle length 10mm
- New flat handle, length 111mm



T7003-2 Sterilizing Tray & Insert

- Sterilizing Tray with Insert securely holds the 23 Gauge Cannula System
- (L)15.7cm x (W)6.6cm x (D)2.3cm



Duckworth & Kent Ltd.
Terence House
7 Marquis Business Centre
Royston Road, Baldock
Herts SG7 6XL England

Tel: +44 (0)1462 893254 Fax: +44 (0)1462 896288
Web: www.duckworth-and-kent.com
Email: info@duckworth-and-kent.com



www.duckworth-and-kent.com

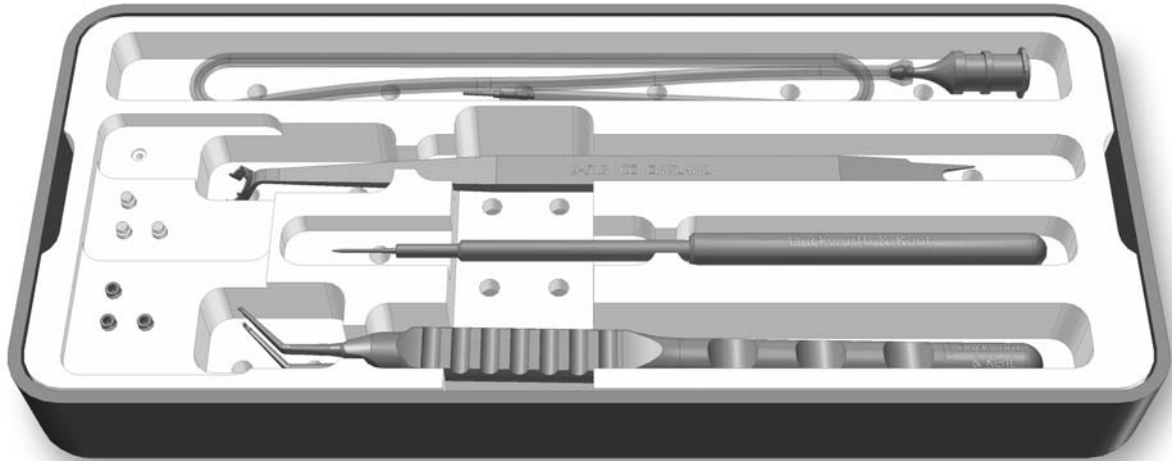


Duckworth & Kent

Ophthalmic Titanium Surgical Instruments

DK7605 - Naito 25 Gauge Cannula System

Duckworth & Kent has developed the Naito 25 Gauge Cannula System which allows a range of small incision vitrectomy instruments to pass through the cannula and into posterior chamber. The system permits a complete sutureless surgical procedure through a small incision that minimizes the potential for surgical trauma.

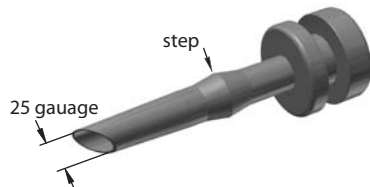


DK7605

Naito 25 Gauge Cannula System, consists of:

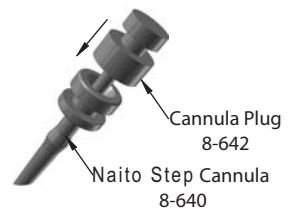
- 3 x Naito Step Cannulas, ref: 8-640
- 3 x Cannula Plugs, ref: 8-642
- 1 x Infusion Cannula, ref: 8-641
- 1 x Cannula Inserter, ref: 6-190
- 1 x Cannula Loading Forceps, ref: 2-2-832
- 1 x Fine Fixation Ring with Caliper, ref: 9-513
- 1 x Sterilizing Tray, ref: T7003-3

8-640 Naito Step Cannula



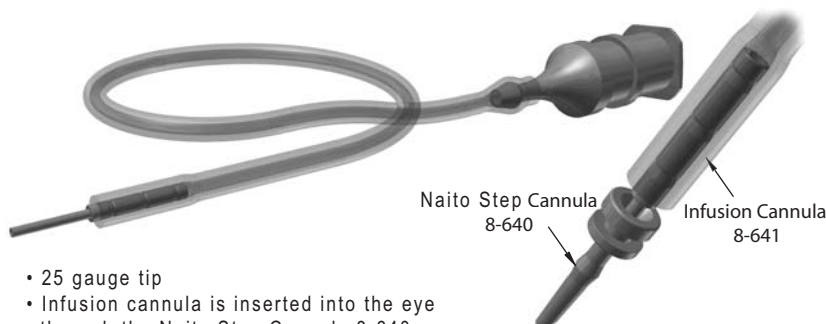
- Cannula for 25 gauge Instruments
- Step prevents accidental removal of cannula
- 45° bevelled tip, overall length 6mm
- Instrument Cannula is inserted into the sclera with the aid of the Cannula Inserter, ref: 6-190

8-642 Cannula Plug



- Seals 25 gauge Naito Step Cannula when not in use

8-641 Infusion Cannula



- 25 gauge tip
- Infusion cannula is inserted into the eye through the Naito Step Cannula 8-640
- Silicone tubing and luer fitting supplied



Image shows Infusion Cannula inserted into one of three Naito Step Cannulas

Titanium Instruments



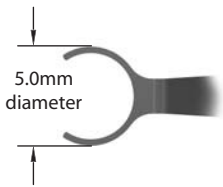
DK7605 - Naito 25 Gauge Cannula System

6-190 Cannula Inserter



- Designed to assist the insertion of the Naito Step Cannulas (8-640)
- Blunt tip
- Round handle, length 100mm

9-513 Fine Fixation Ring with Caliper



- $\frac{3}{4}$ ring, 5.0mm diameter with 5 point fixation
- Caliper end 3.5mm internal dimension
- Fixed flat handle, length 109mm

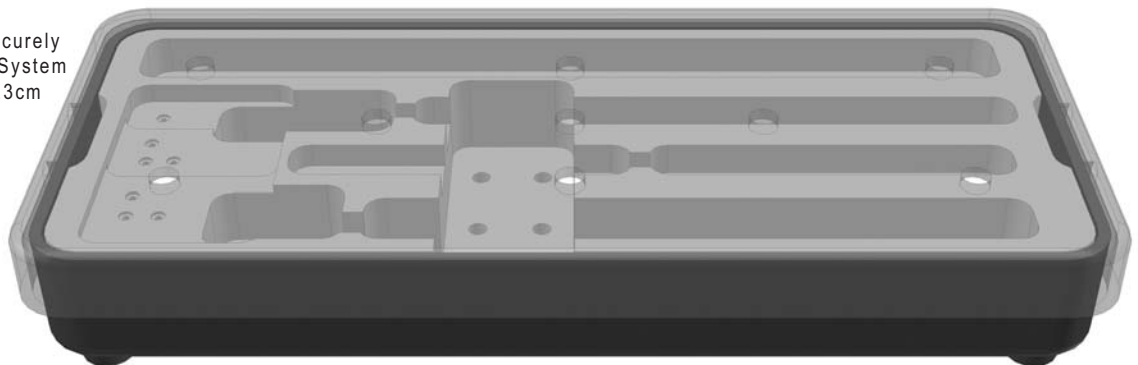
2-2-832 Cannula Loading Forceps



- Designed to hold when inserting or removing the Naito Step Cannula (8-640), Infusion Cannula (8-641) and Cannula Plug (8-642)
- 45° angled shafts, tip to angle length 10mm
- New flat handle, length 111mm

T7003-3 Sterilizing Tray & Insert

- Sterilizing Tray with Insert securely holds the 25 Gauge Cannula System
- (L)15.7cm x (W)6.6cm x (D)2.3cm



Duckworth & Kent Ltd.
Terence House
7 Marquis Business Centre
Royston Road, Baldock
Herts SG7 6XL England

Tel: +44 (0)1462 893254 Fax: +44 (0)1462 896288
Web: www.duckworth-and-kent.com
Email: info@duckworth-and-kent.com



www.duckworth-and-kent.com